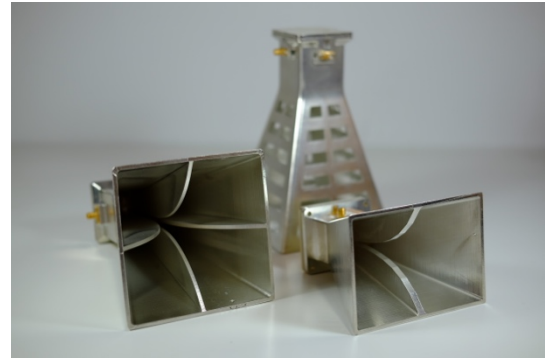


Antenna 2-18 GHz 12 dB Gain

ELL-A3D-SP-020018001200-02

Description

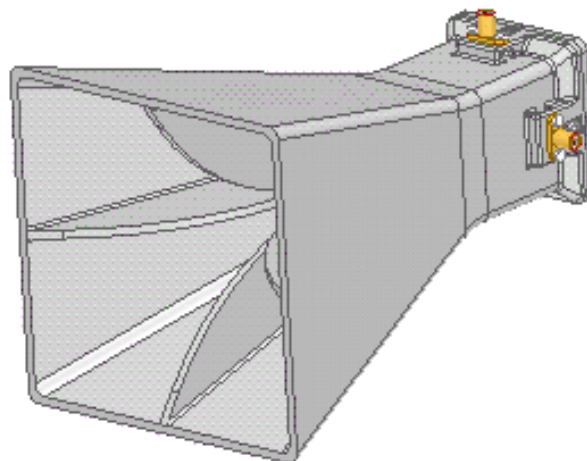
This Horn antenna operates for a frequency from 2 GHz to 18 GHz. It offers a typical value of 12 dB gain and a double polarizations. The particularity of this antenna is its lightness. Indeed, this antenna is lighter than a machining one due to the realization by a 3D printer.



Technical specifications

Frequency(GHz)	2-18
Simulated Gain(dB)	12 Typ.
VSWR max	2.0
Connector	SMA-F
Size (mm)	186x117x117
Weight	282g

Design

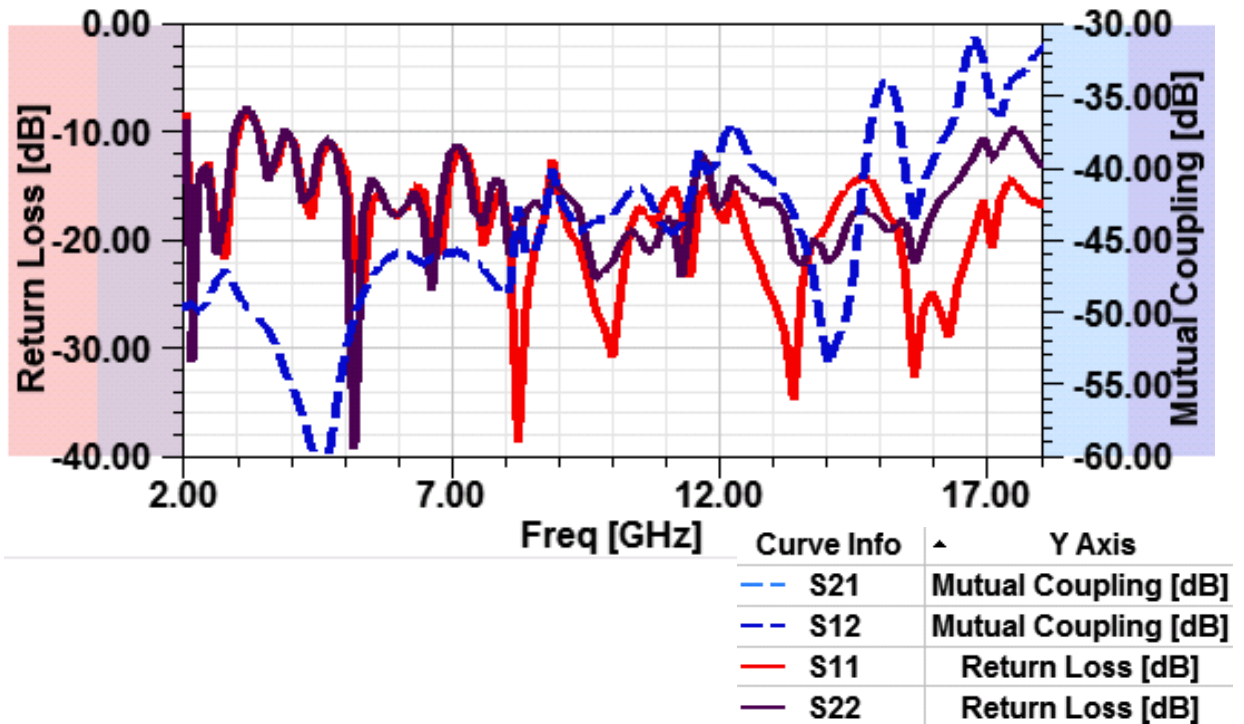


Antenna 2-18 GHz 12 dB Gain

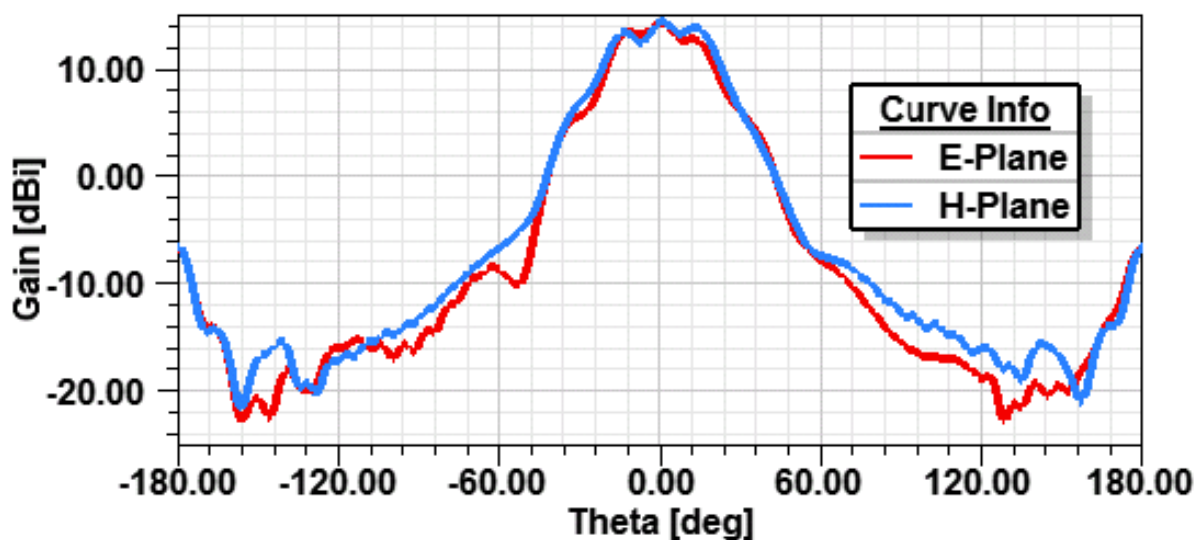
ELL-A3D-SP-020018001200-02

Simulation results

1. Return Loss



2. Radiation Pattern (12GHz)



Antenna 2-18 GHz 12 dB Gain



ELL-A3D-SP-020018001200-02

3. Gain versus Frequency

