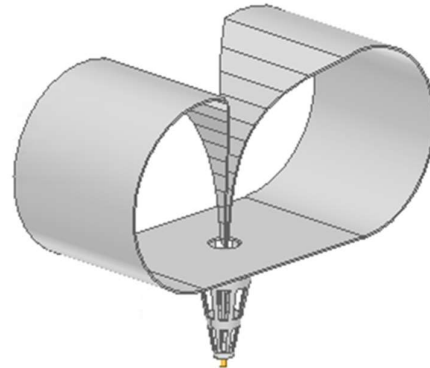


# Antenna 0.3-6 GHz++

ELL-A3D-SP-003006001100-01

## Description

This antenna operates for a frequency from 0.3 GHz to 6 GHz. It offers a typical value of 0 up to 11 dB gain. The particularity of this antenna is its lightness. Indeed, this antenna is lighter than a machining one due to the realization by a 3D printer.



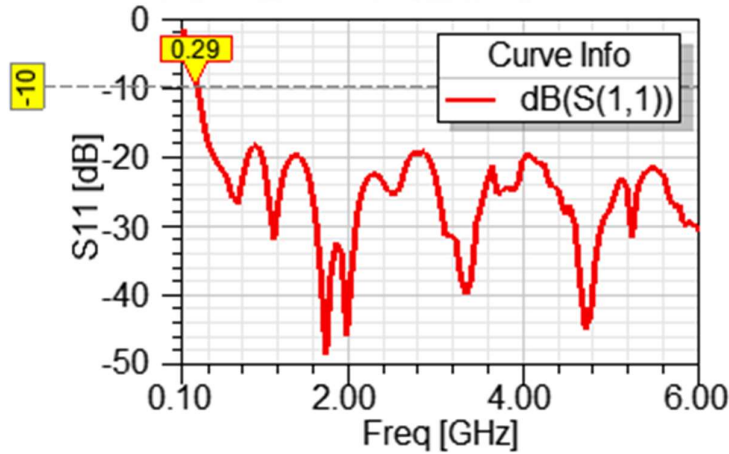
## Technical specifications

Frequency(GHz)	0.3-6++
Simulated Gain(dBi)	0 - 11
Return loss (dB)	>20 dB
Connector	SMA-F
Size (mm)	380 x 285 x 150 mm3
Weight	800 g

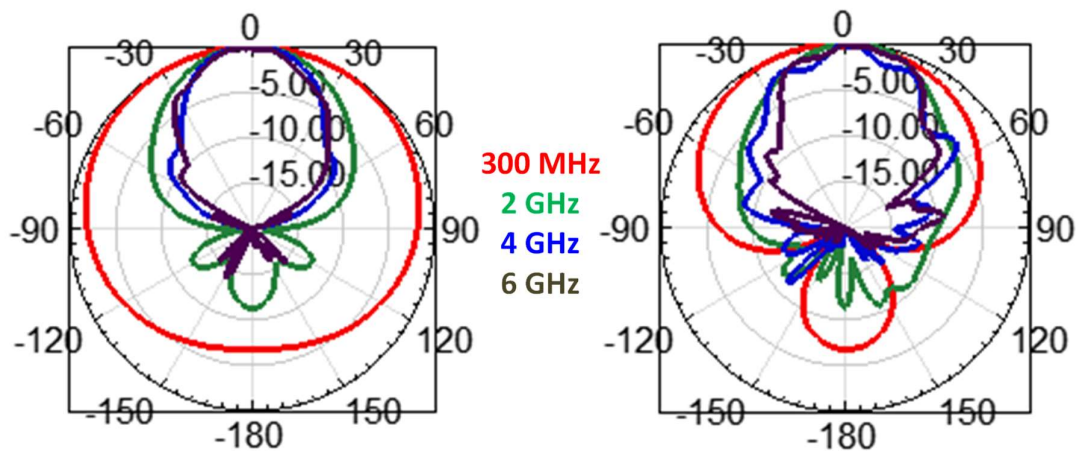
# Antenna 0.3-6 GHz++

Simulation results ELL-A3D-SP-003006001100-01

## 1. Return Loss (EM Simulation and measurement)



## 2. Radiation Pattern



## 3. Gain versus Frequency

