



Antenna 3.9-5.9 GHz 10 dB Gain

ELL-A3D-SP-039005901000-01

Description

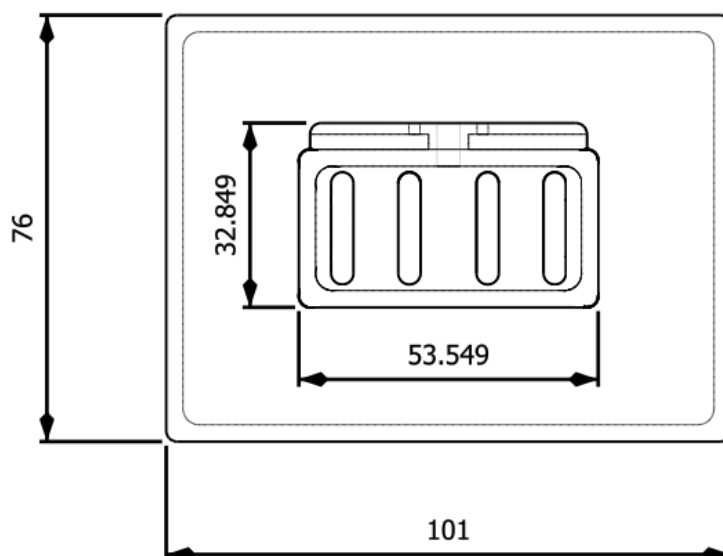
This Horn antenna operates for a frequency from 3.9 GHz to 5.9 GHz. It offers a typical value of 10 dB gain. The particularity of this antenna is its lightness. Indeed, this antenna is lighter than a machining one due to the realization by a 3D printer.



Technical specifications

Frequency (GHz)	3.9-5.9
Simulated Gain (dB)	10 Typ.
VSWR max	1.70
Connector	SMA-F
Waveguide	WR187
Size (mm)	101*76*150
Weight	133 g

Dimensional Drawing

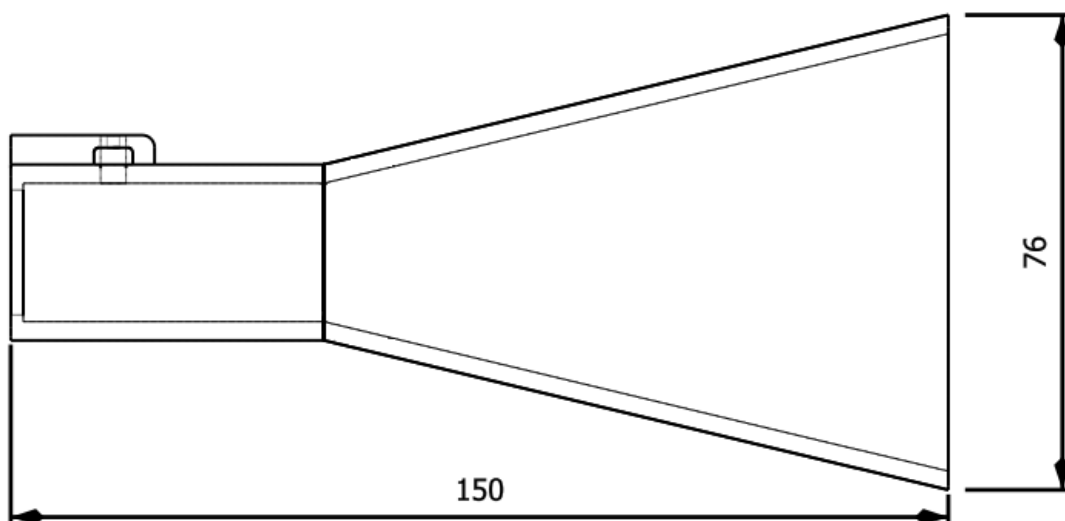




Antenna 3.9-5.9 GHz 10 dB Gain

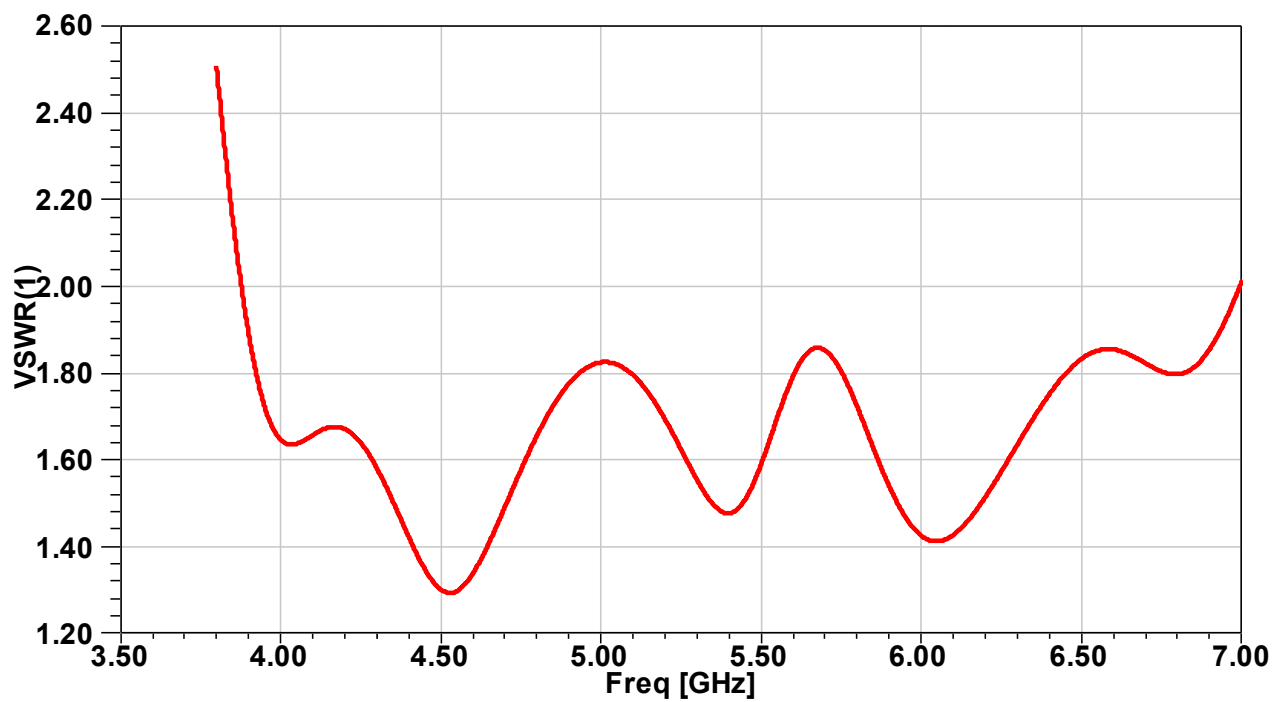
elliptika®

ELL-A3D-SP-039005901000-01



Simulation results

1. VSWR

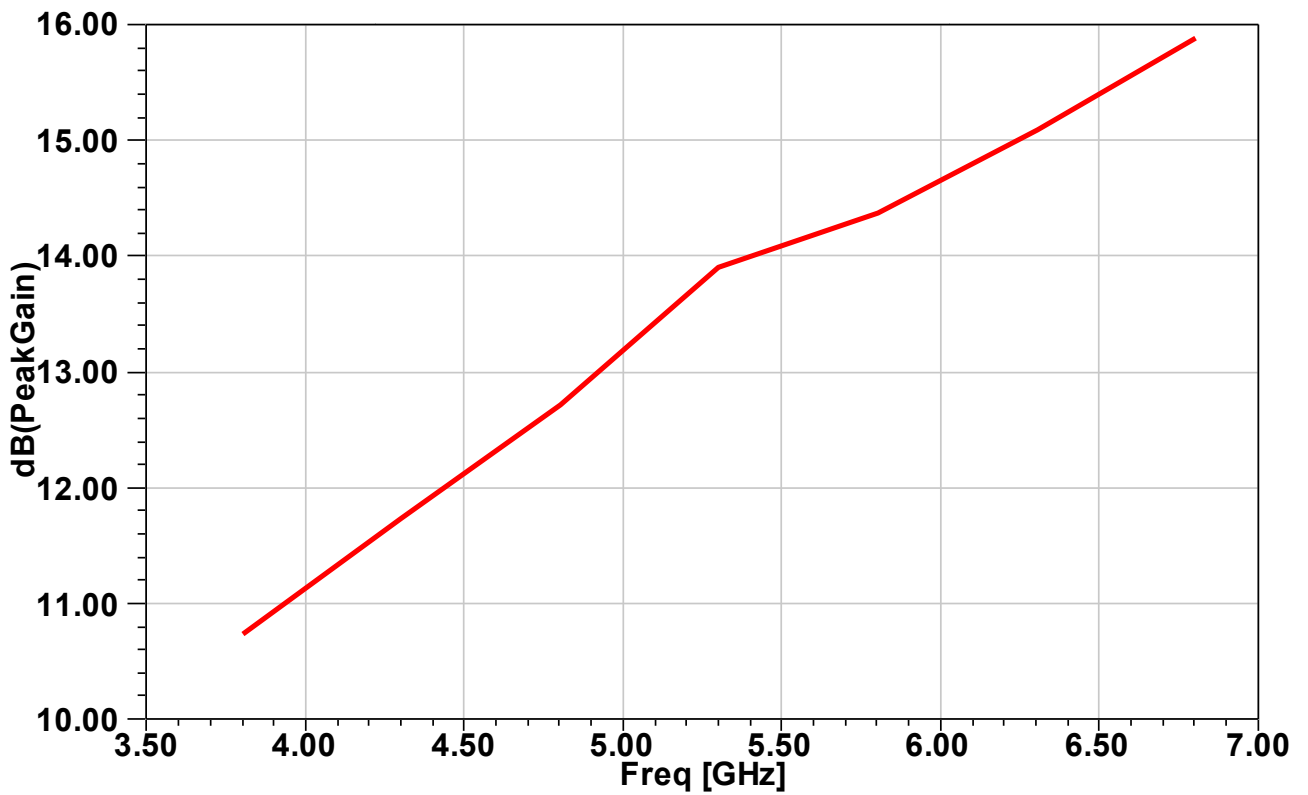




Antenna 3.9-5.9 GHz 10 dB Gain

elliptika®

2.Gain ELL-A3D-SP-039005901000-01



Measurement results (Reflection coefficient)

