



# Antenna 4.9-7.1 GHz 10 dB Gain

ELL-A3D-SP-049007101000-01

## Description

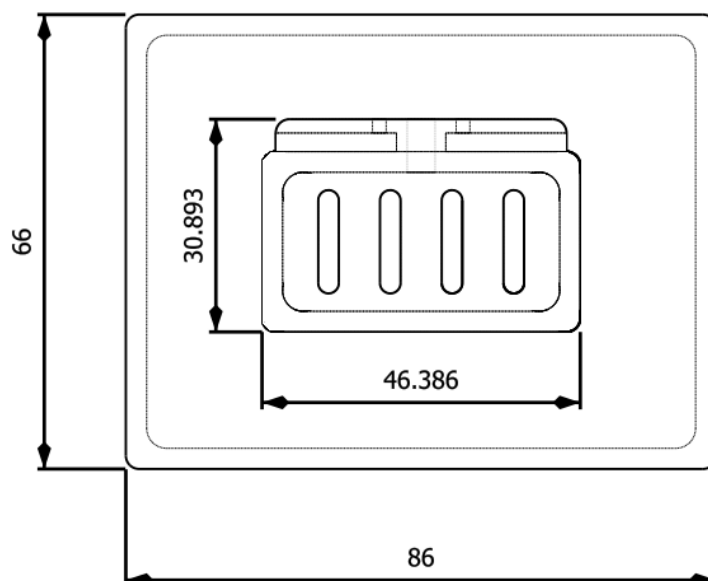
This Horn antenna operates for a frequency from 4.9 GHz to 7.1 GHz. It offers a typical value of 10 dB gain. The particularity of this antenna is its lightness. Indeed, this antenna is lighter than a machining one due to the realization by a 3D printer.



## Technical specifications

Frequency (GHz)	4.9-7.1
Simulated Gain (dB)	10 Typ.
VSWR max	1.75
Connector	SMA-F
Waveguide	WR159
Size (mm)	86*66*125
Weight	83 g

## Dimensional Drawing

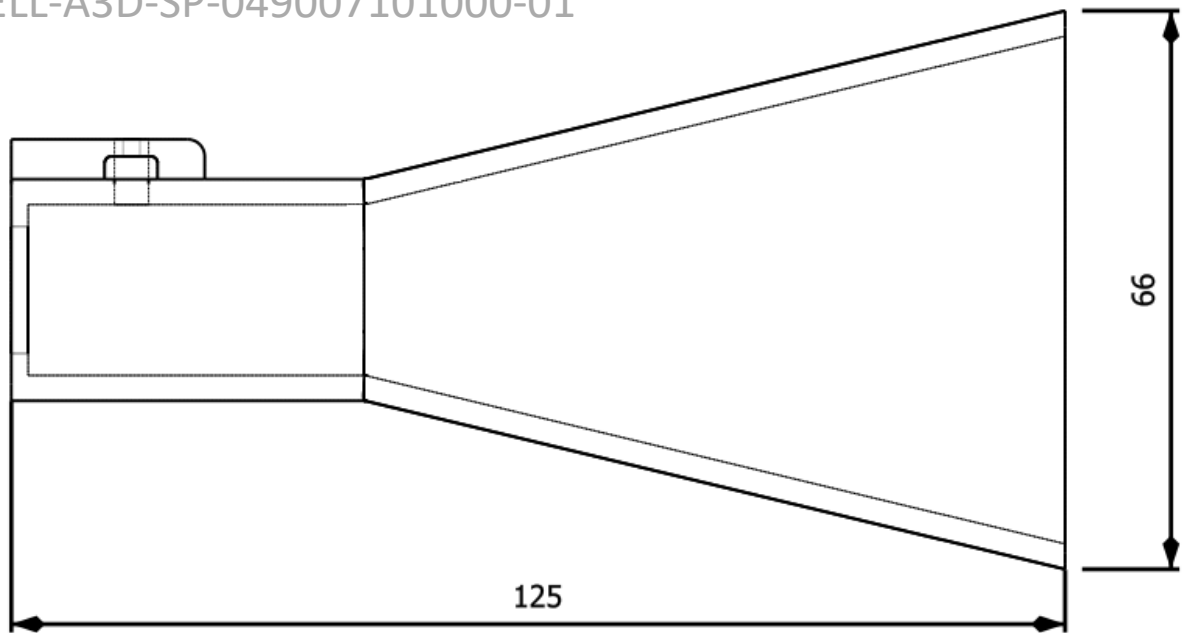




# Antenna 4.9-7.1 GHz 10 dB Gain

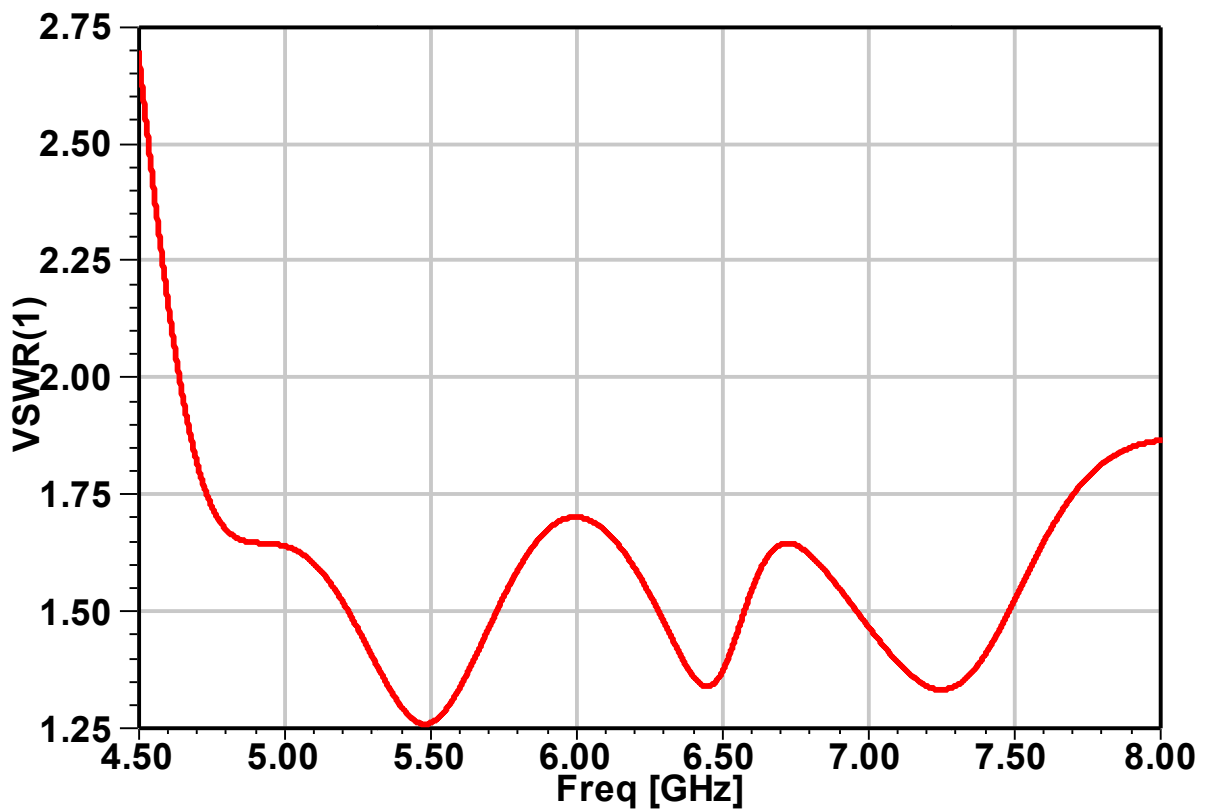
elliptika®

ELL-A3D-SP-049007101000-01



## Simulation results

### 1. VSWR



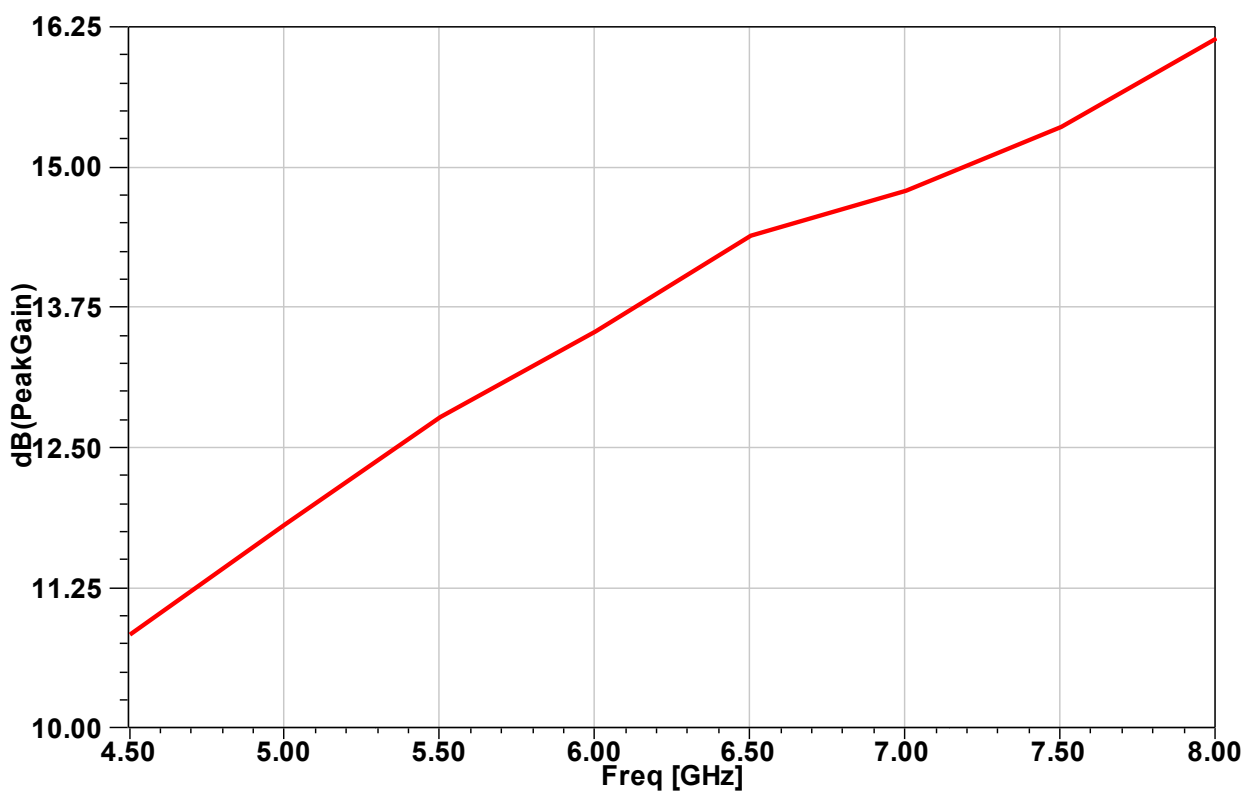


# Antenna 4.9-7.1 GHz 10 dB Gain

elliptika®

## 2.Gain

ELL-A3D-SP-049007101000-01



## Measurement results (Reflection coefficient)

