

Antenna 6-18 GHz 19 dB Gain

ELL-A3D-SP-060018001900-01

Description

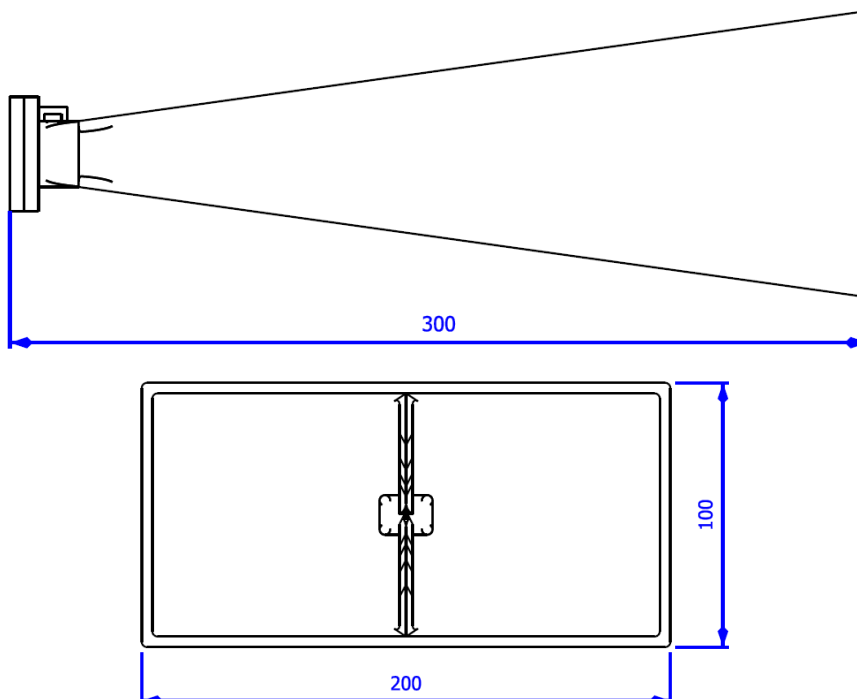
This Horn antenna operates at a frequency of 6 GHz to 18 GHz. It offers a typical gain of 19 dB. This antenna is lighter than a conventionally machined one due to the use of 3D printing technologies.



Technical specifications

| | |
|--------------------|-----------------|
| Frequency(GHz) | 6 - 18 |
| Simulated Gain(dB) | 19 Typ. |
| Connector | 2.92 |
| Size (mm) | 300 x 100 x 200 |
| Weight (g) | - |

Dimensions and pictures

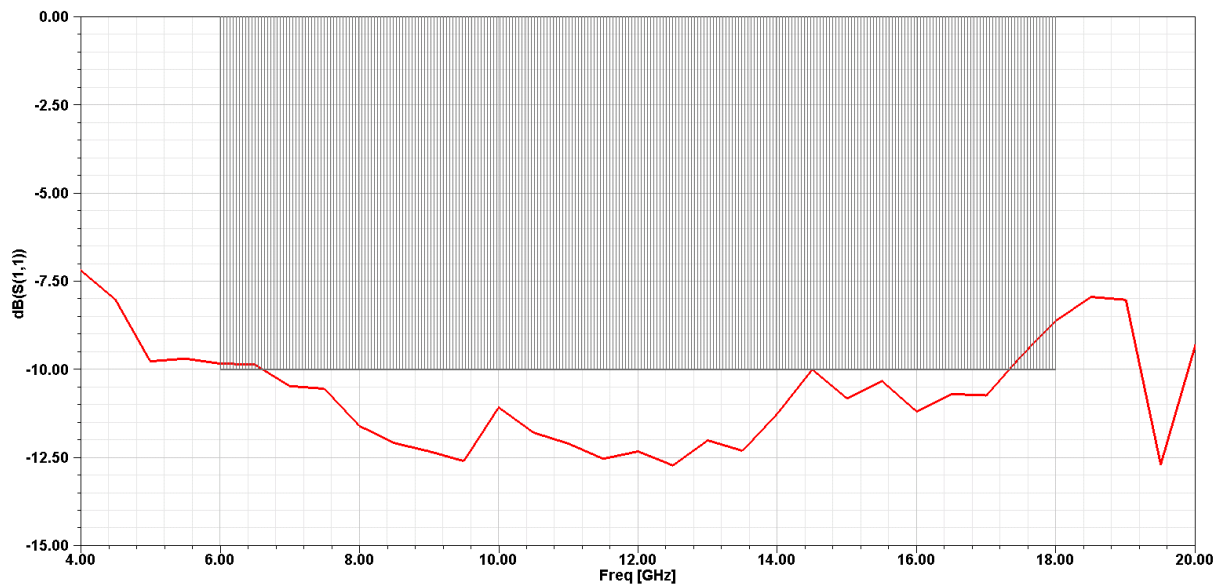


Antenna 6-18 GHz 19 dB Gain

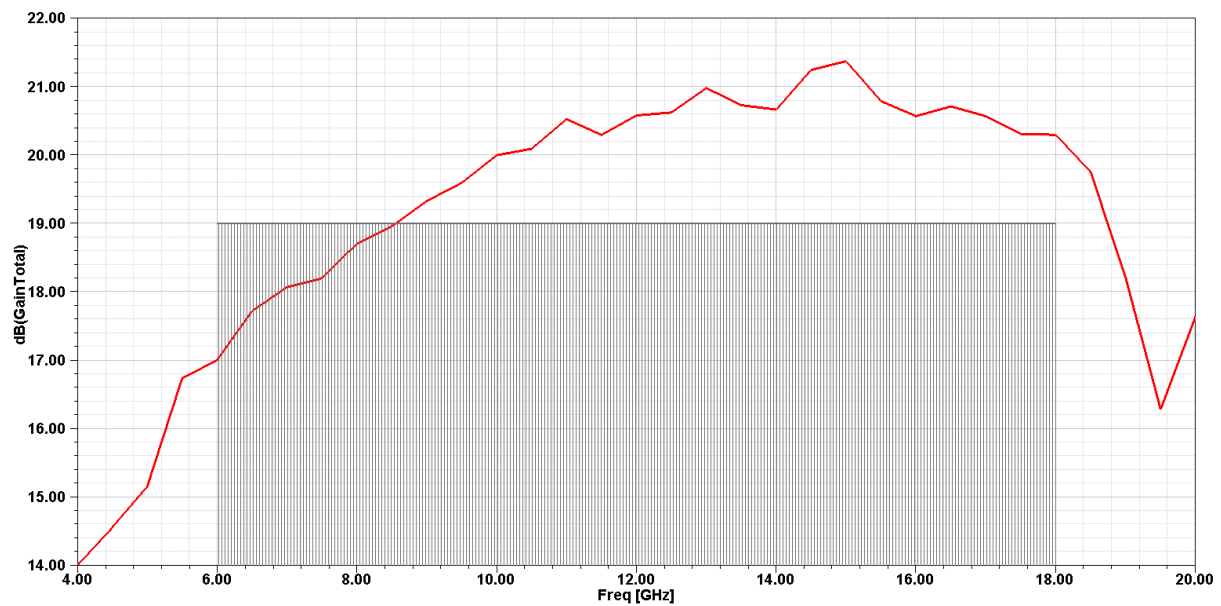
ELL-A3D-SP-060018001900-01

Simulation results

1-Reflection coefficient



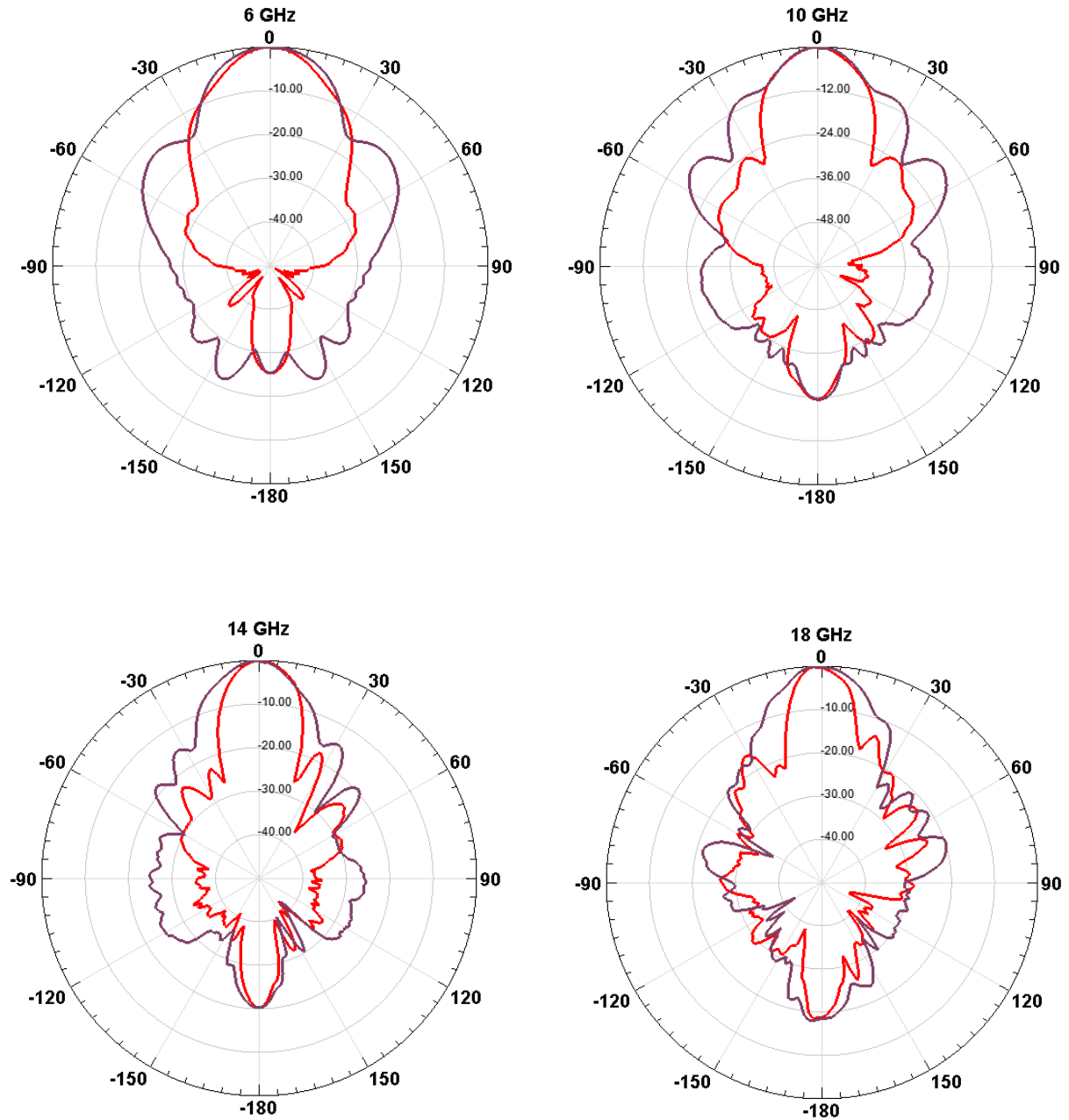
2-Gain vs Frequency



Antenna 6-18 GHz 19 dB Gain

3-Radiation patterns

ELL-A3D-SP-060018001900-01



Antenna 6-18 GHz 19 dB Gain

4-VSWR ELL-A3D-SP-060018001900-01

