



# Antenna 8.2-12.4 GHz 15 dB Gain

ELL-A3D-SP-082012401500-02

## Description

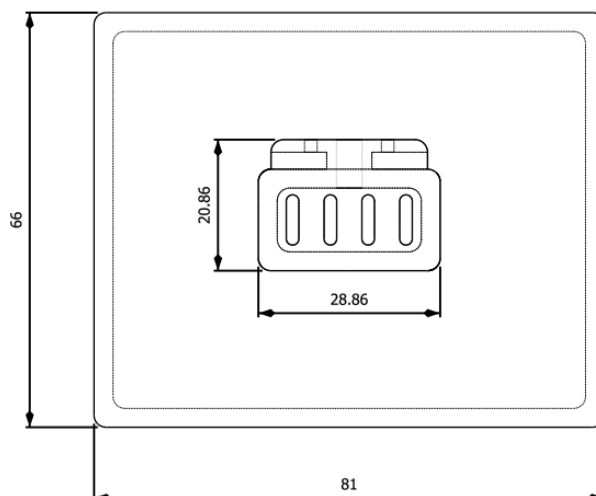
This Horn antenna operates for a frequency from 8.2 GHz to 12.4 GHz. It offers a typical value of 15 dB gain. The particularity of this antenna is its lightness. Indeed, this antenna is lighter than a machining one due to the realization by a 3D printer.



## Technical specifications

Frequency (GHz)	8.2-12.4
Simulated Gain (dB)	15 Typ.
VSWR max	1.45
Connector	SMA-F
Waveguide	WR90
Size (mm)	81*66*110
Weight	-

## Dimensional Drawing

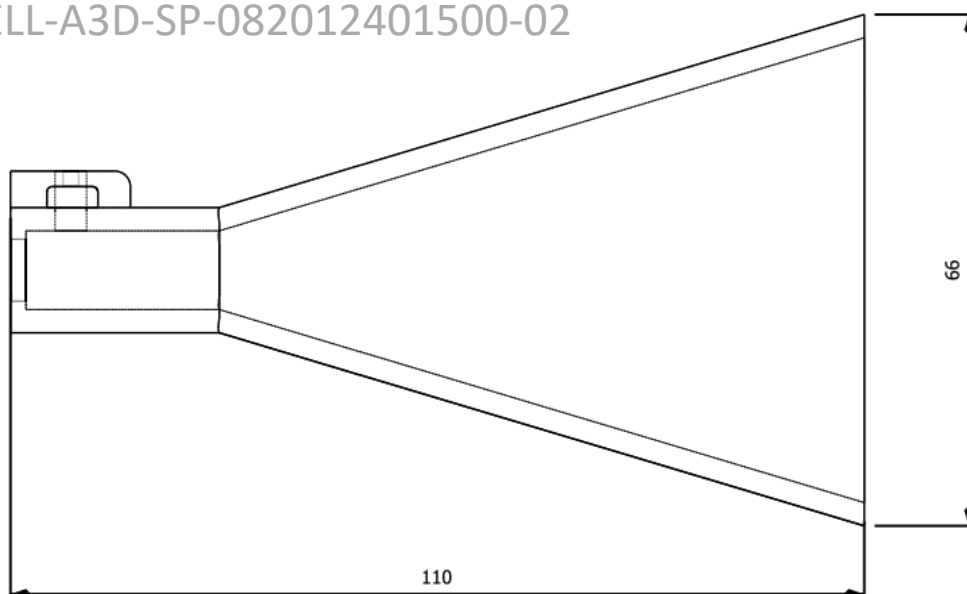




elliptika®

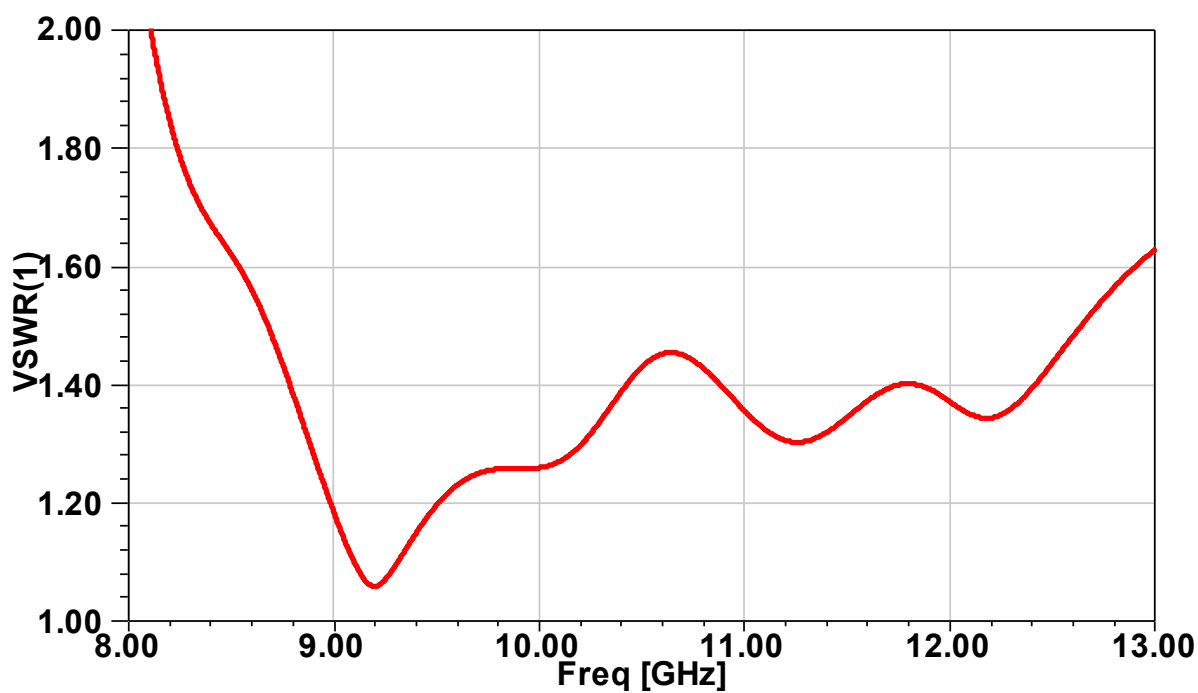
# Antenna 8.2-12.4 GHz 15 dB Gain

ELL-A3D-SP-082012401500-02



## Simulation results

### 1. VSWR





# Antenna 8.2-12.4 GHz 15 dB Gain

elliptika®

## 2.Gain

ELL-A3D-SP-082012401500-02

