



# Antenna 18-26.5 GHz 15 dB Gain

ELL-A3D-SP-180026501500-02

## Description

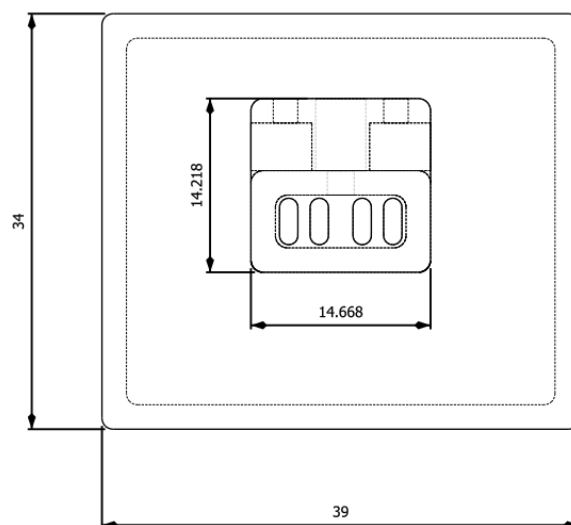
This Horn antenna operates for a frequency from 18 GHz to 26.5 GHz. It offers a typical value of 15 dB gain. The particularity of this antenna is its lightness. Indeed, this antenna is lighter than a machining one due to the realization by a 3D printer.



## Technical specifications

Frequency (GHz)	18-26.5
Simulated Gain (dB)	15 Typ.
VSWR max	1.7
Connector	SMA-F
Waveguide	WR42
Size (mm)	39*34*55
Weight	15 g

## Dimensional Drawing

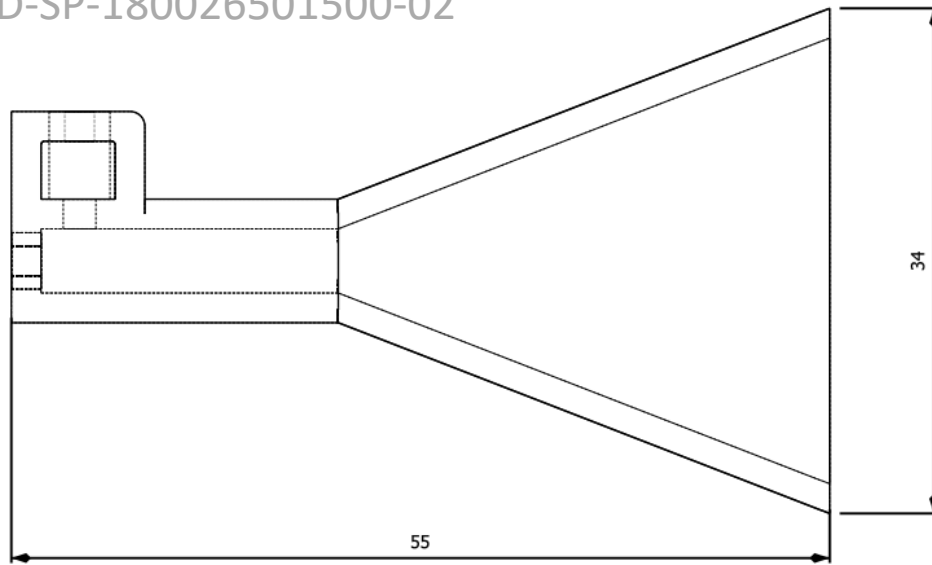




elliptika®

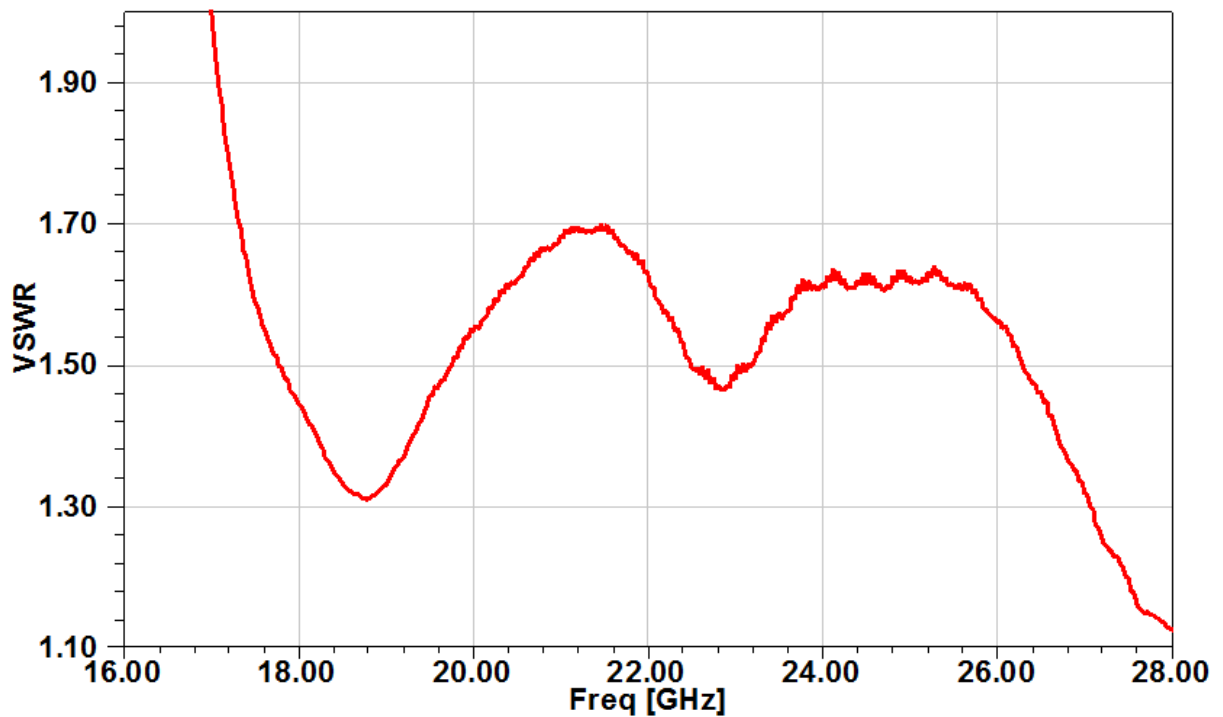
# Antenna 18-26.5 GHz 15 dB Gain

ELL-A3D-SP-180026501500-02



## Simulation results

### 1. VSWR

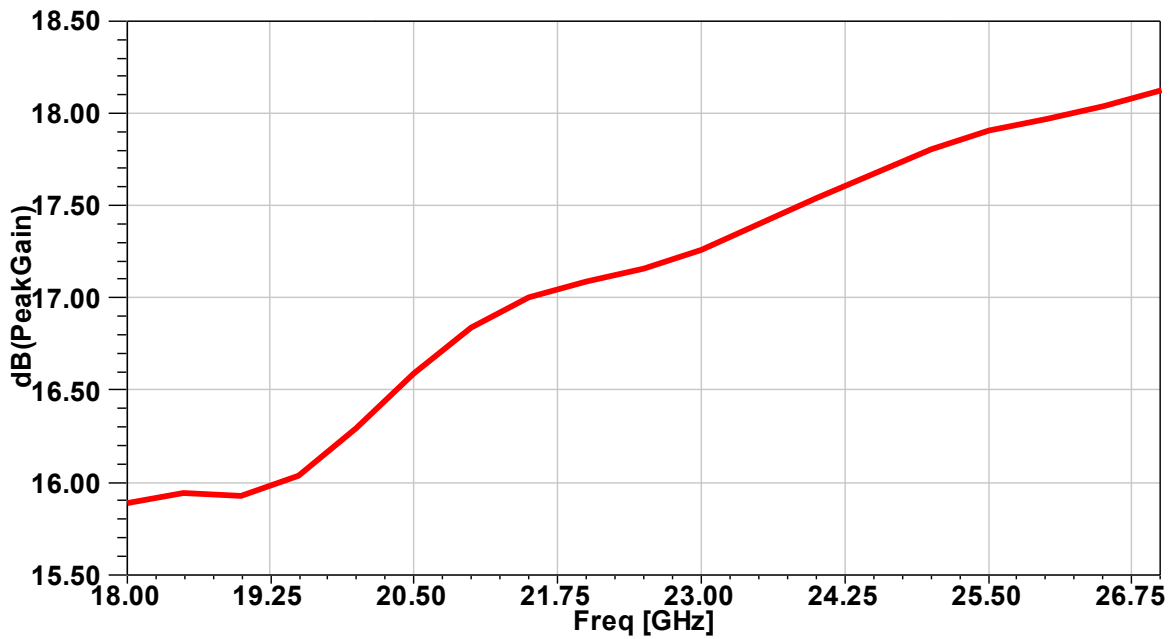




# Antenna 18-26.5 GHz 15 dB Gain

## 2.Gain

ELL-A3D-SP-180026501500-02



## Measurement results (Reflection coefficient)

