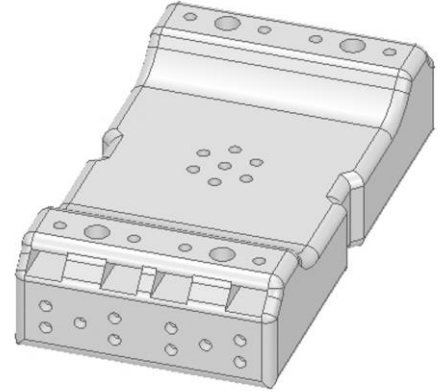


### Electrical specifications

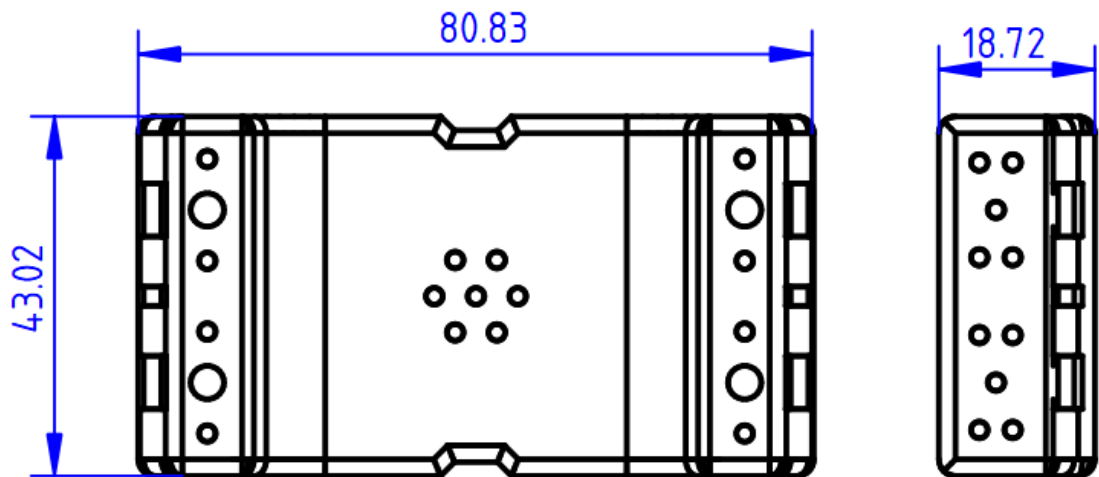
<b>Frequency Range</b>	9 – 12.7	[GHz]
<b>Return Loss</b>	$\leq -12.5$	[dB]
<b>Insertion Loss</b>	$\leq -0.2$	[dB]
<b>Phase Shift</b>	90	[Deg]
<b>Phase balance</b>	$\pm 5$	[Deg]
<b>Coupling</b>	3.4	[dB]
<b>Amplitude balance</b>	$\pm 0.5$	[dB]
<b>Isolation</b>	$\geq 12.5$	[dB]
<b>Directivity</b>	$\geq 10$	[dB]
<b>Impedance</b>	50	[ $\Omega$ ]
<b>Connector</b>	SMA – F	–
<b>Power (CW)</b>	–	[W]
<b>Power (Impulse)</b>	–	[W]



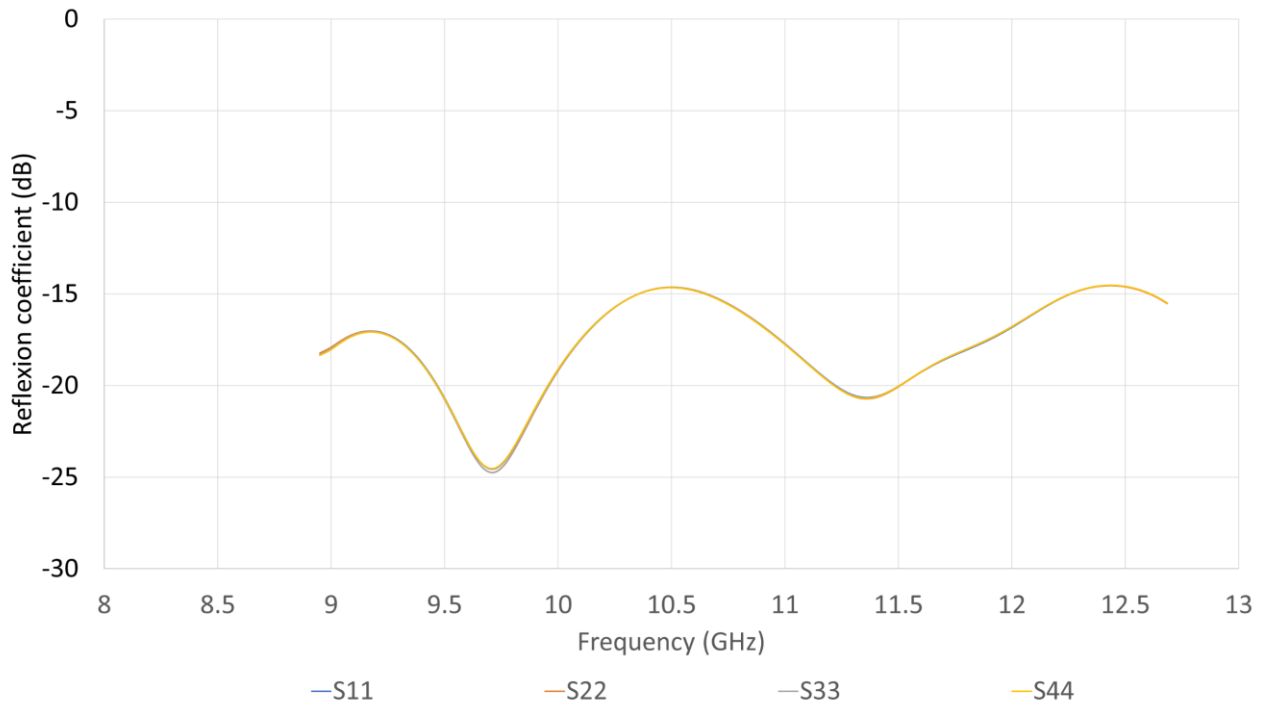
### Physical specifications

<b>W x L x H</b>	81 x 43 x 19	[mm <sup>3</sup> ]
<b>Weight</b>	–	[g]

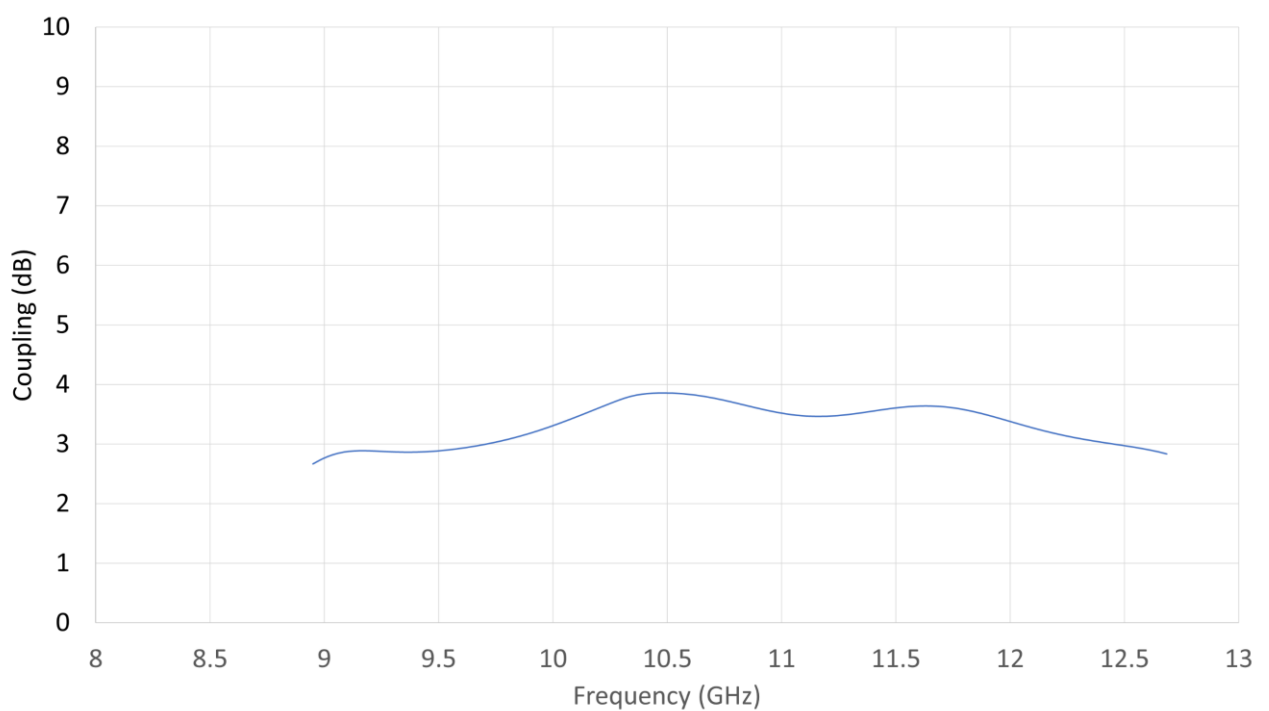
## Technical Drawing



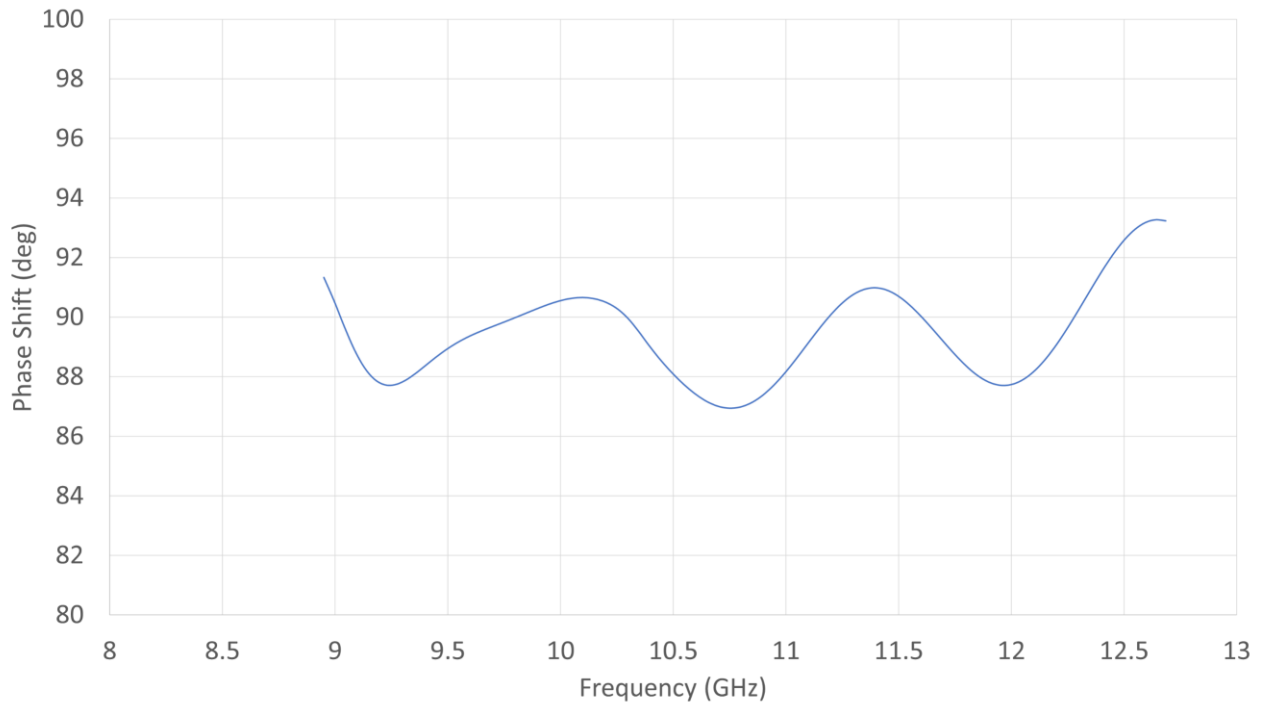
## Return Loss



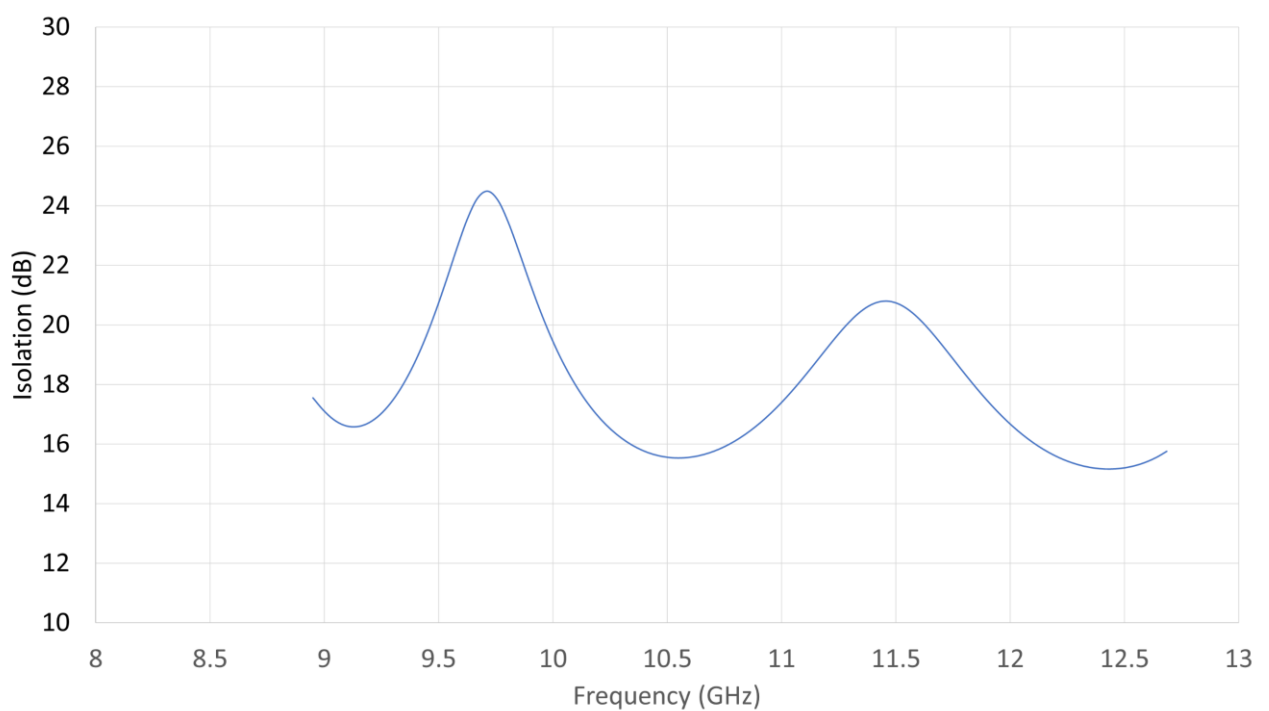
## Coupling (including insertion loss)



## Phase Shift



## Isolation



## Directivity

